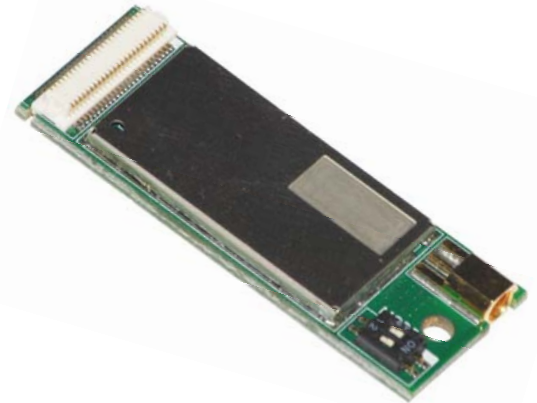


433-OEM4311

433-OEM4311 module is a compact wireless radio modem working within unlicensed ISM frequency range 433 MHz. OEM module has extremely low power consumption and designed specifically for applications where key requirements are: long distance between radio nodes and high reliability of data transmission. Its low power consumption assures long autonomous time of operation with battery power supply. This module intended for embedded applications required minimal efforts for integration into the end products. Its small size factor extended functionality makes this module an optimal solution for products and systems required reliable data communication infrastructure.

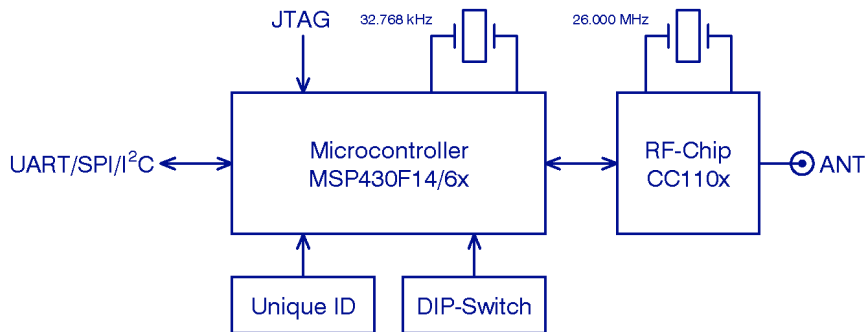


FEAUTURES

- Unlicensed ISM frequency range of 433 MHz
- Long communication distance up to 500 m
- Extremely low power consumption
- Compact form factor
- Ease of integration into the end products
- Every module has a unique ID that can be used as MAC address
- On-board dip switch allows set-up mode of operation
- Programmable serial interface
- Wide range of power supply
- Industrial temperature diapason

APPLICATIONS

- Industrial automation
- Security systems
- AMR systems (advanced metering)
- Transport monitoring
- Telemetry systems
- Building automation
- Intellectual house
- Engineering systems monitoring
- Preventive maintenance
- Precision farming
- Traffic control
- Parking systems
- Logistics
- Construction processes monitoring
- Transportation monitoring
- Robotics
- Ecological monitoring
- Seismic control
- Toys



GENERAL CHARACTERISTICS

Frequency range	433.075 - 434.790 MHz
Signal modulation	FSK / MSK
Maximal signal output power	+10 dBm
Radio transmission data rate	Up to 500 kbit/s
UART data rate	Up to 115.2 kbit/s
High-frequency connector type, impedance	MMCX, 50 Ω
Supply voltage «sleep»/«active» mode	1.8 - 3.6 / 3.0 - 3.6 V
Current consumption «sleep»/«active» mode	3 µA / 32 mA (+10 dBm)
Size	41.7 x 14.8 x 4.6 mm

SERVICES

- Software customization according to customer requirements
- OEM module integration into the end product
- Embedded and system level software development

About company: «FR-Systems» ® was founded in early 2007, specializes in wireless technology. Company develops complete wireless based solutions for such domain areas as: industrial automation, building and home automation. www.fr-systems.com